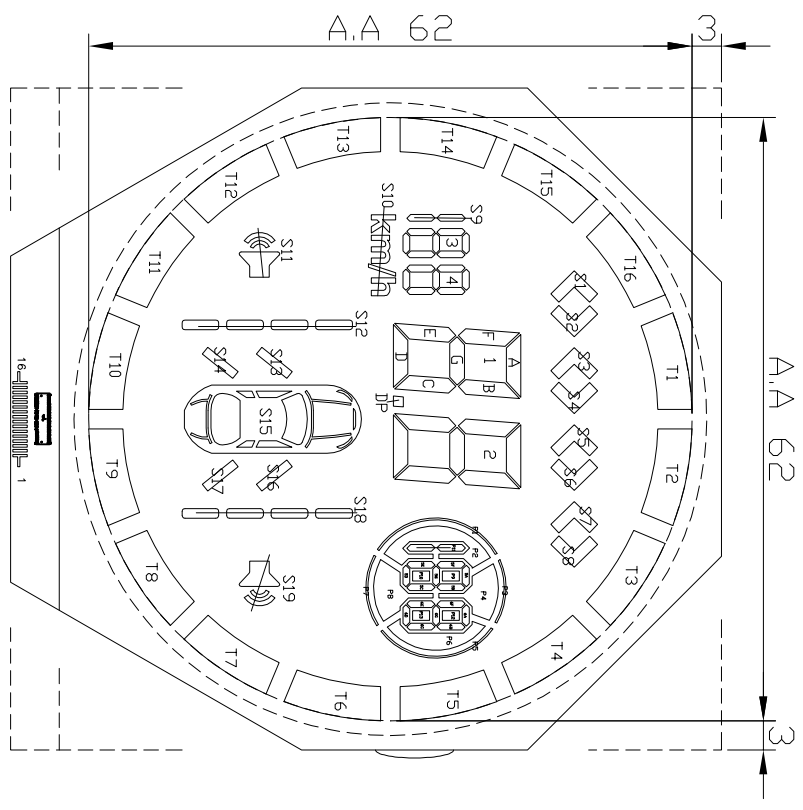


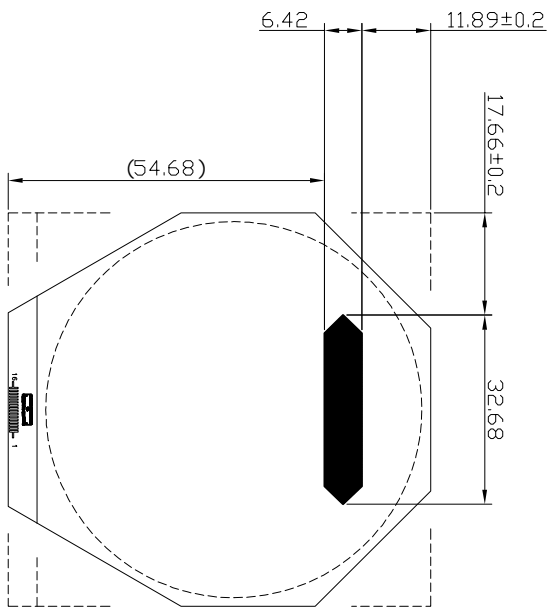


--	B00	B01	--	B00	B01
S12	T1	--	S36	S15	P10
S13	T16	4C	S37	T10	5C
S14	T15	4B	S38	S17	P7
S15	T14	4A	S39	S16	P8
S16	4F	4G	S40	S18	6E
S17	3A	4E	S41	T9	6D
S18	3F	3B	S42	S19	P13
S19	S9	3G	S43	T8	6C
S20	3E	3C	S44	T7	P5
S21	T13	3D	S45	T6	P6
S22	T12	4D	S46	T5	6B
S23	S10	1A	S47	T4	P12
S24	1E	1F	S48	T3	6A
S25	1D	1G	S49	S8	6F
S26	1C	1B	S50	S7	6G
S27	DP	2A	S51	S6	P3
S28	2E	2F	S52	S5	P4
S29	2D	2G	S53	T2	5B
S30	2C	2B	S54	S4	P9
S31	T11	P1	S55	S3	5A
S32	S11	P2	S56	S2	5F
S33	S12	P11	S57	S1	5G
S34	S13	5E	B00	B00	--
S35	S14	5D	B01	--	B01

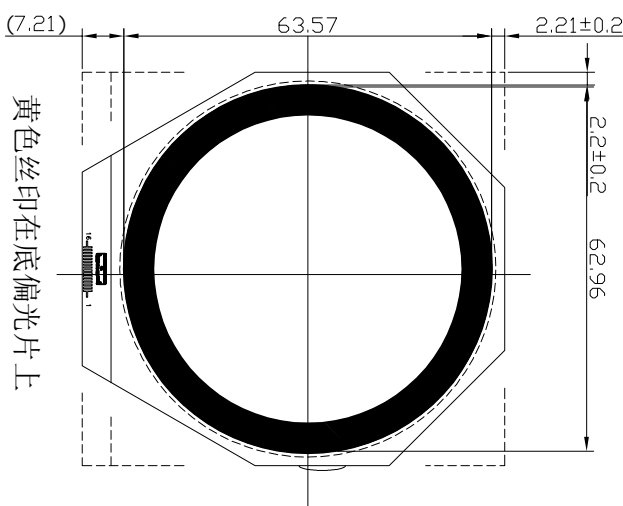


**SHENZHEN ENRICH ELECTRONICS CO., LTD.**  
 TEL: +86-755-27864416, FAX: +86-755-27864653

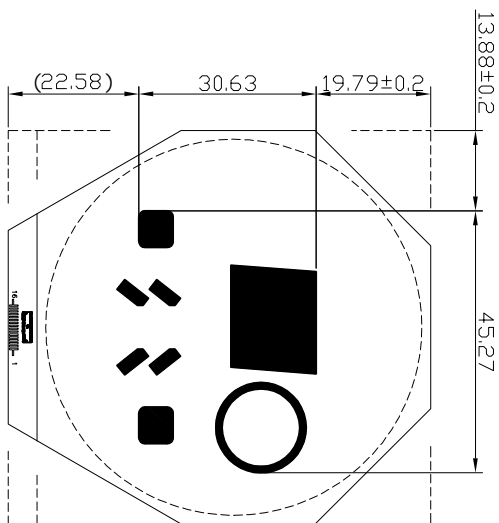
Unspecified Tolerance:	±0.20	UNITS:mm	DATE:	MODEL NUMBER:	SHEET:	2 OF 4
DESIGN BY:	STEVEN	2019.08.26	ENH-SS916071-01-YVNTKF	PROJECTION	DATE:	2019.08.26
CHECKED BY:						
APPROVED BY:				DO NOT SCALE THIS DRAWING.		



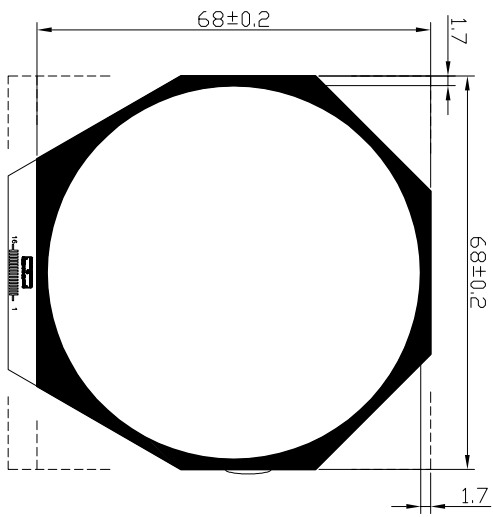
绿色丝印在底偏光片上



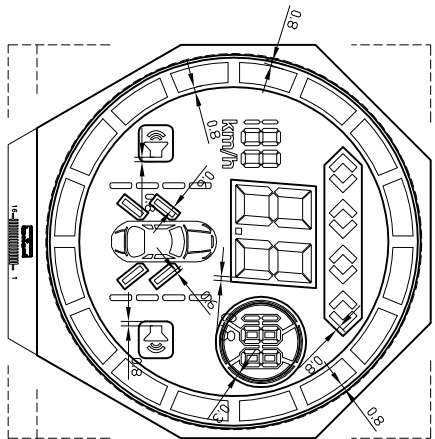
黄色丝印在底偏光片上



红色丝印在底偏光片上



黑色丝印在底玻璃上

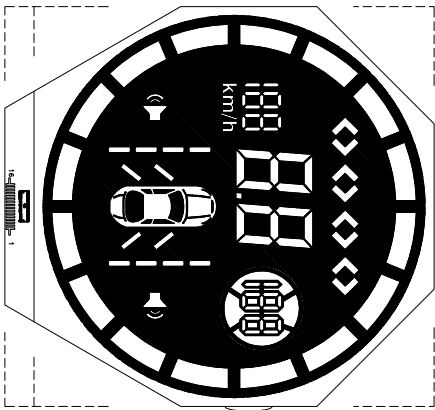
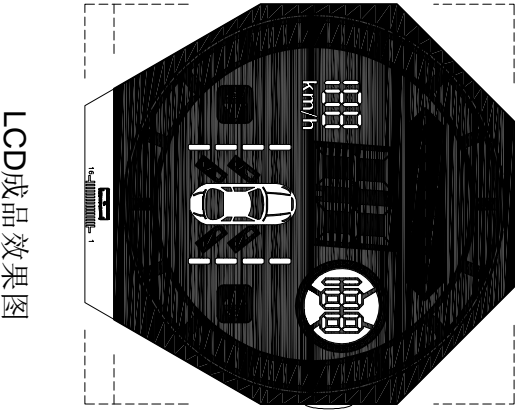
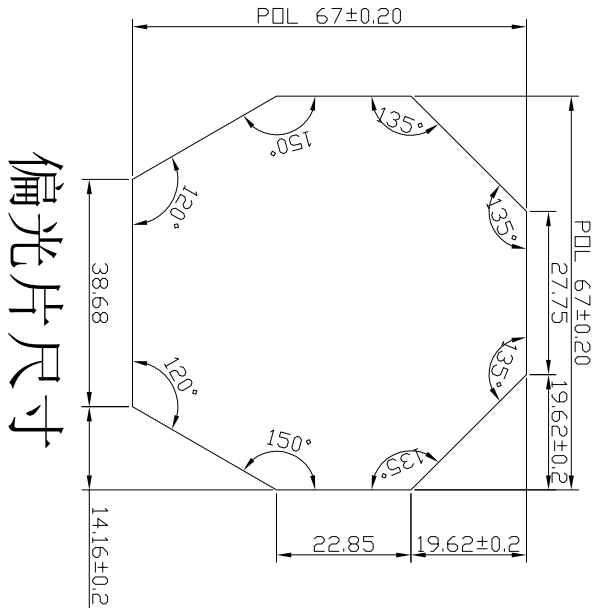
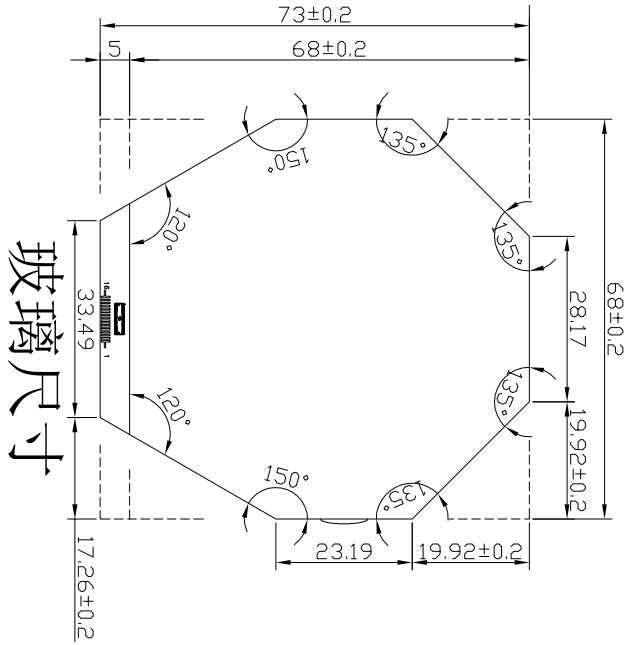



丝印与图案的距离



**SHENZHEN ENRICH ELECTRONICS CO., LTD.**  
 TEL: +86-755-27864416, FAX: +86-755-27864653

Unspecified Tolerance:	+0.20	UNITS: mm	DATE:	MODEL NUMBER:	SHEET:
DESIGN BY:	STEVEN	2019.08.26	ENH-SS916071-01-YANTKE	DO NOT SCALE THIS DRAWING.	PROJECTION
CHECKED BY:					DATE: 2019.08.26
APPROVED BY:					3 OF 4



 <p><b>SHENZHEN ENRICH ELECTRONICS CO., LTD.</b> TEL: +86-755-27864416, FAX: +86-755-27864653</p>		<p>UNSPECIFIED TOLERANCES: ±0.20 UNITS: mm</p>		<p>DATE: 2019.08.26</p>		<p>MODEL NUMBER: ENH-SS916071-01-YVNTKF</p>		<p>PROJECTION: </p>		<p>SHEET: 4 OF 4</p>	
<p>DESIGN BY: STEVEN</p>		<p>DATE: 2019.08.26</p>		<p>CHECKED BY:</p>		<p>DO NOT SCALE THIS DRAWING.</p>		<p>DATE: 2019.08.26</p>		<p>DATE: 2019.08.26</p>	